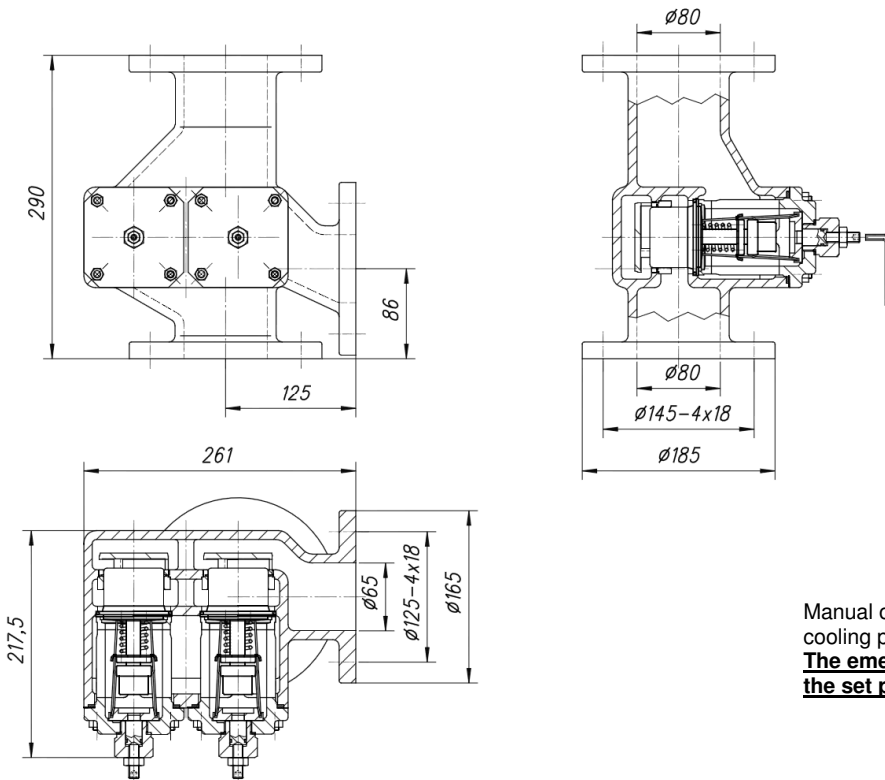


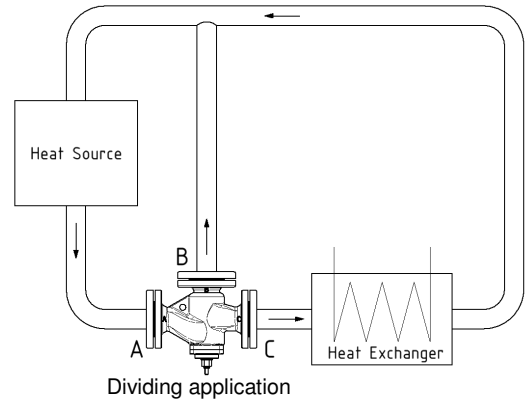
AKO Three-Way Temperature Regulator with manual override
Type Series 226.0921, Nominal Size DN 65/80



Manual override for the mechanical opening of the cooling path in case of any failure of the thermostat.
The emergency adjustment is not to be used to adjust the set point when the thermostat is working properly!

Technical Data:

Material:	
- Body	EN-GJL-250
- Innerparts	SS / Brass
Thermostat	237.0120-xxx-0
Sealing kit	NBR
Operation pressure	up to 10 bar
adm. Differential pressure	up to 10 bar
Nominal pressure	PN 10
Connection	acc. TGL 20372
Weight	28 kg



Deliverable temperature ranges:			
05 - 15 °C	37 - 47 °C	66 - 74 °C	82 - 93 °C
14 - 26 °C	39 - 50 °C	68 - 78 °C	85 - 96 °C*
20 - 30 °C	43 - 54 °C	71 - 79 °C	88 - 99 °C*
27 - 37 °C	51 - 60 °C	74 - 82 °C	93 - 103 °C*
32 - 41 °C	57 - 66 °C	77 - 85 °C	102-113 °C*
35 - 43 °C	62 - 71 °C	79 - 88 °C	

Max. continuous temperature 25°C above fully open temperature.
*maximal operating temperature 120 °C

Installation:

The installation can be done selectively as follows:

as divider	as mixing valve
path A: from motor	path C: from cooler
path B: to bypass	path B: from bypass
path C: to cooler	path A: to motor

The paths have been marked on the connections.

The temperature regulator may be installed in all positions.

