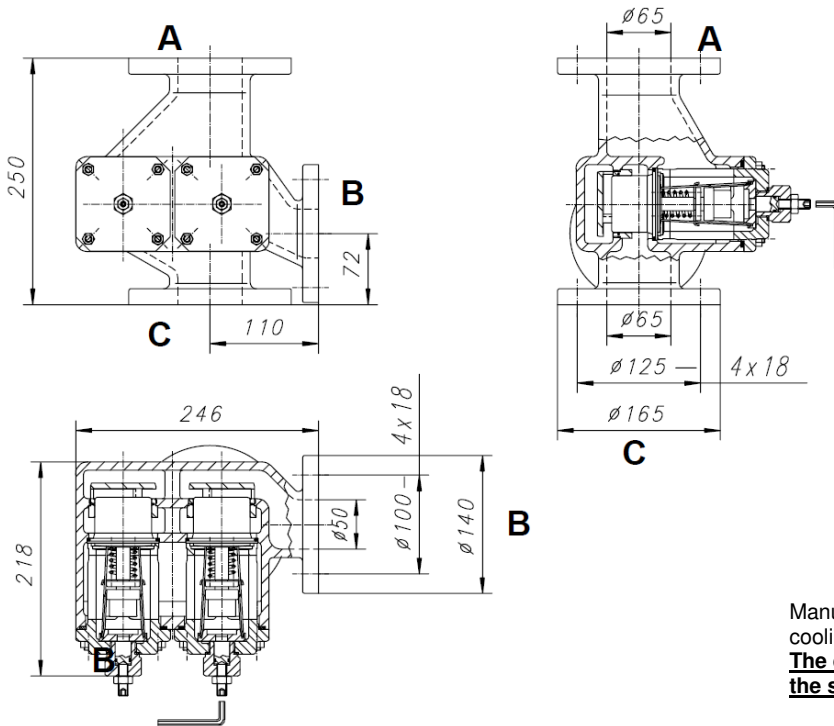


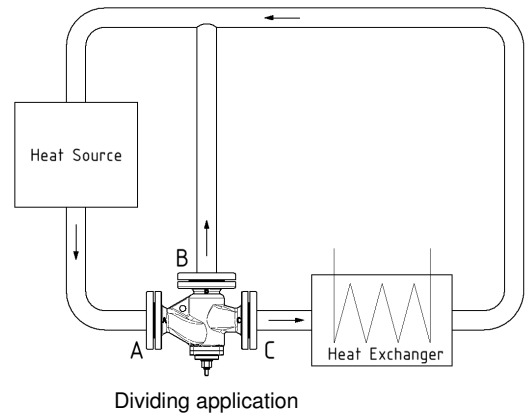
**AKO Three-Way Temperature Regulator with manual override**  
Type Series 226.0921, Nominal Size DN 50/65



Manual override for the mechanical opening of the cooling path in case of any failure of the thermostat.  
**The emergency adjustment is not to be used to adjust the set point when the thermostat is working properly!**

**Technical Data:**

- Material:  
 - Body EN-GJL-250  
 - Innerparts SS / Brass  
 Thermostat 237.0120-xxx-0  
 Sealing kit NBR  
 Operation pressure up to 16 bar  
 adm. Differential pressure up to 16 bar  
 Nominal pressure PN 16  
 Connection acc. TGL 20372  
 Weight 22 kg



Deliverable temperature ranges:					
05 – 15 °C	32 – 41 °C	51 – 60 °C	66 – 74 °C	79 – 88 °C	102 – 113 °C*
14 – 26 °C	35 – 43 °C	54 – 63 °C	68 – 78 °C	82 – 93 °C	
20 – 30 °C	37 – 47 °C	57 – 66 °C	71 – 79 °C	85 – 96 °C*	
27 – 37 °C	39 – 50 °C	60 – 69 °C	74 – 82 °C	88 – 99 °C*	
29 – 40 °C	43 – 54 °C	62 – 71 °C	77 – 85 °C	93 – 103 °C*	

Max. continuous temperature 25°C above fully open temperature.  
 \*maximal operating temperature 120°C

**Installation:**

- The installation can be done selectively as follows:  
**as divider**  
 path A: from motor  
 path B: to bypass  
 path C: to cooler  
**as mixing valve**  
 path C: from cooler  
 path B: from bypass  
 path A: to motor  
 The paths have been marked on the connections.  
 The temperature regulator may be installed in all positions.

