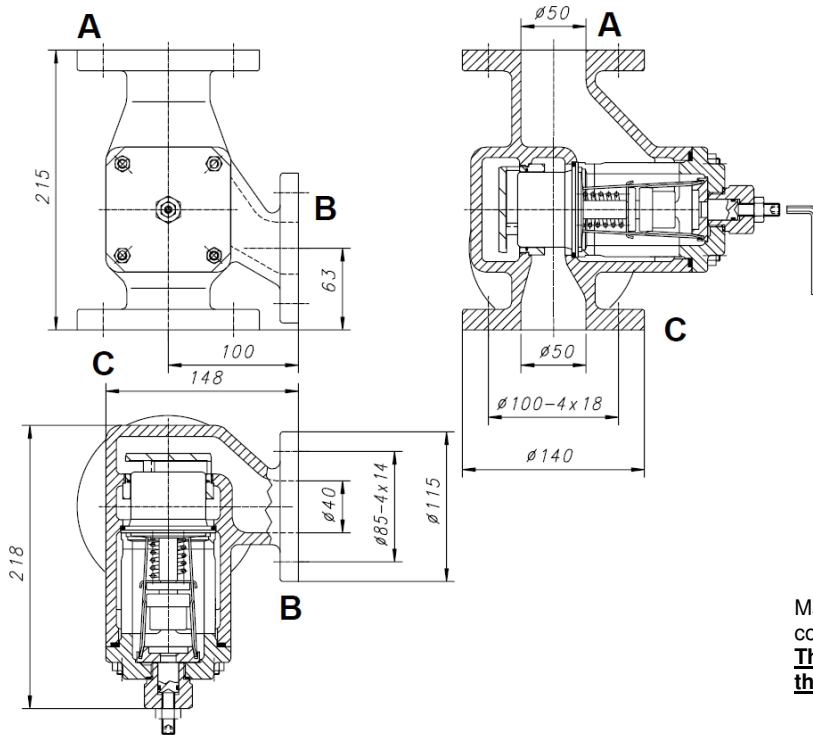


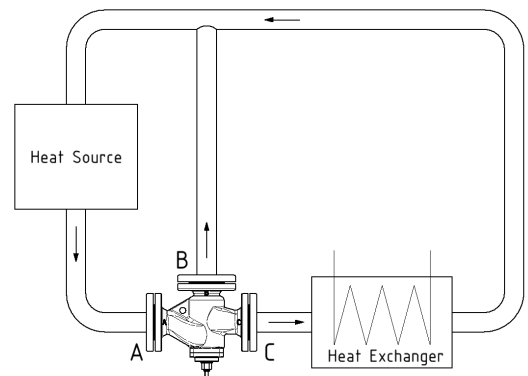
AKO Three-Way Temperature Regulator with manual override
Type Series 226.0921, Nominal Size DN 40/50



Manual override for the mechanical opening of the cooling path in case of any failure of the thermostat.
The emergency adjustment is not to be used to adjust the set point when the thermostat is working properly!

Technical Data:

- Material:
- Body EN-GJL-250
 - Innerparts SS / Brass
 - Thermostat 237.0120-xxx-0
 - Sealing kit NBR
 - Operation pressure up to 16 bar
 - adm. Differential pressure up to 16 bar
 - Nominal pressure PN 16
 - Connection acc. TGL 20372
 - Weight 18 kg



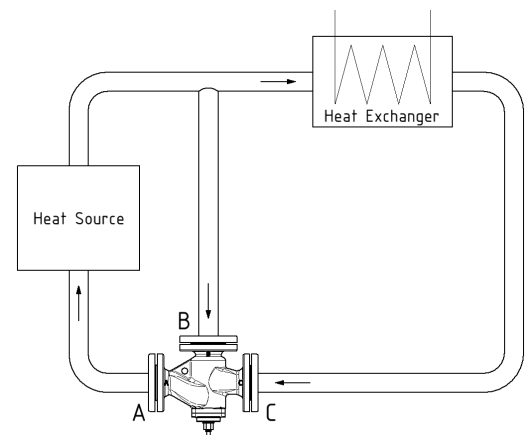
Dividing application

Deliverable temperature ranges:					
05 – 15 °C	32 – 41 °C	51 – 60 °C	66 – 74 °C	79 – 88 °C	102 – 113 °C*
14 – 26 °C	35 – 43 °C	54 – 63 °C	68 – 78 °C	82 – 93 °C	
20 – 30 °C	37 – 47 °C	57 – 66 °C	71 – 79 °C	85 – 96 °C*	
27 – 37 °C	39 – 50 °C	60 – 69 °C	74 – 82 °C	88 – 99 °C*	
29 – 40 °C	43 – 54 °C	62 – 71 °C	77 – 85 °C	93 – 103 °C*	

Max. continuous temperature 25°C above fully open temperature.
*maximal operating temperature 120 °C

Installation:

- The installation can be done selectively as follows:
- as divider**
 - path A: from motor
 - path B: to bypass
 - path C: to cooler
 - as mixing valve**
 - path C: from cooler
 - path B: from bypass
 - path A: to motor
- The paths have been marked on the connections.
The temperature regulator may be installed in all positions.



Mixing application