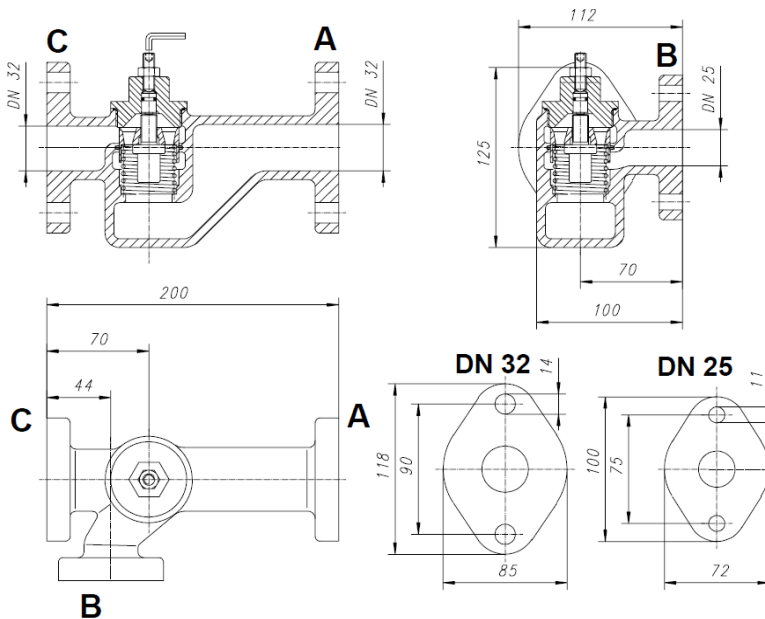


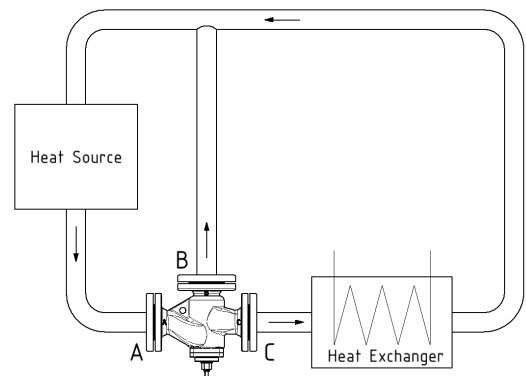
AKO Three-Way Temperature Regulator with manual override
Type Series 226.0921, Nominal Size DN 25/32



Manual override for the mechanical opening of the cooling path in case of any failure of the thermostat.
The emergency adjustment is not to be used to adjust the set point when the thermostat is working properly!

Technical Data:

Material:	
- Body	CuSn10-C
- Innerparts	SS / Brass
Thermostat	237.5100-xxx-0
Sealing kit	NBR
Operation pressure	up to 6 bar
adm. Differential pressure	up to 6 bar
Nominal pressure	PN 6
Connection	acc. TGL 25143
Weight	5,6 kg



Dividing application

Deliverable temperature ranges:			
22 – 30 °C	43 – 54 °C	68 – 77 °C	101 – 121 °C**
29 – 40 °C	49 – 60 °C	76 – 88 °C	
35 – 46 °C	54 – 65 °C	82 – 93 °C	
39 – 49 °C	60 – 71 °C	93 – 101 °C*	

Max. continuous temperature 15°C above fully open temperature.
*maximal operating temperature 120°C
**maximal operating temperature 125°C

Installation:

The installation can be done selectively as follows:

as divider

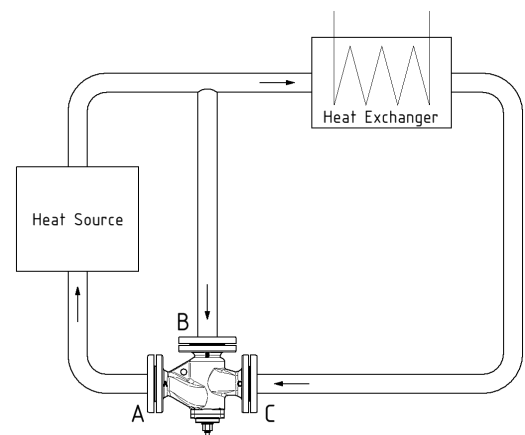
- path A: from motor
- path B: to bypass
- path C: to cooler

as mixing valve

- path C: from cooler
- path B: from bypass
- path A: to motor

The paths have been marked on the connections.

The temperature regulator may be installed in all positions.



Mixing application