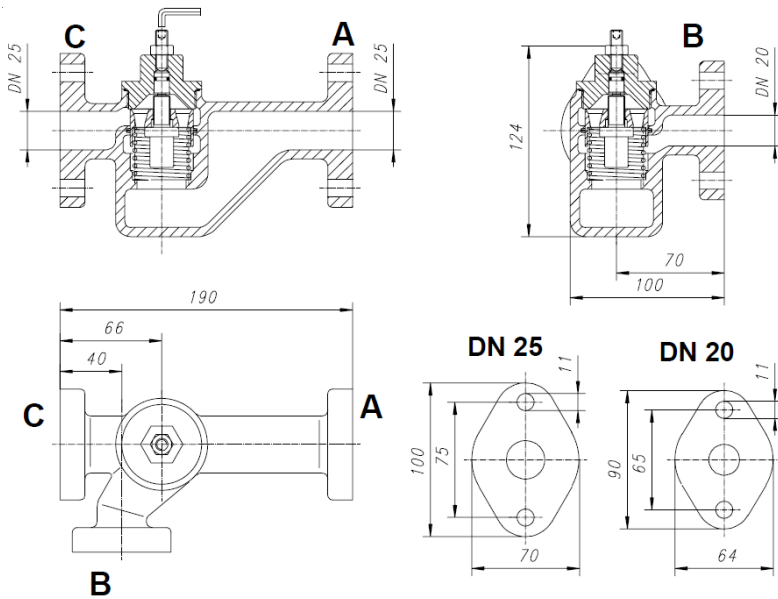


AKO Three-Way Temperature Regulator with manual override  
Type Series 226.0921, Nominal Size DN 20/25



Manual override for the mechanical opening of the cooling path in case of any failure of the thermostat.  
**The emergency adjustment is not to be used to adjust the set point when the thermostat is working properly!**

Technical Data:

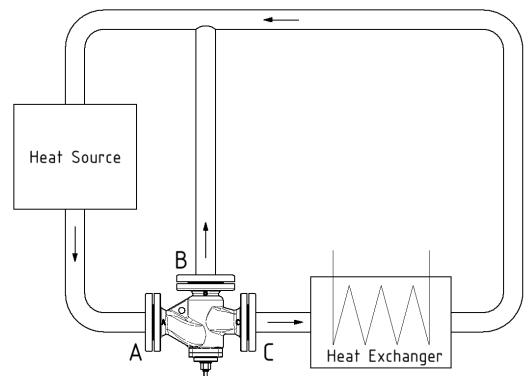
- Material:  
 - Body CuSn10-C  
 - Innerparts SS / Brass  
 Thermostat 237.5100-xxx-0  
 Sealing kit NBR  
 Operation pressure up to 6 bar  
 adm. Differential pressure up to 6 bar  
 Nominal pressure PN 6  
 Connection acc. TGL 25143  
 Weight 4,25 kg

Deliverable temperature ranges:			
22 – 30 °C	43 – 54 °C	68 – 77 °C	101 – 121 °C**
29 – 40 °C	49 – 60 °C	76 – 88 °C	
35 – 46 °C	54 – 65 °C	82 – 93 °C	
39 – 49 °C	60 – 71 °C	93 – 101 °C*	

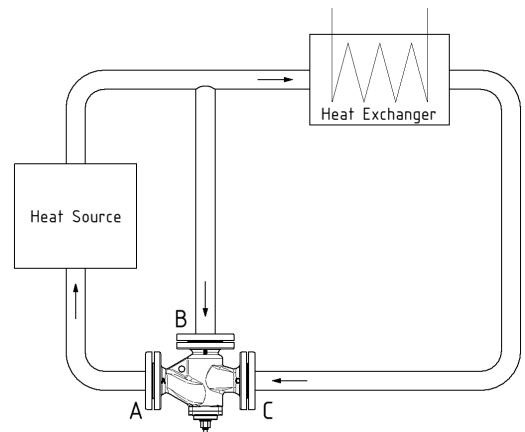
Max. continuous temperature 15°C above fully open temperature.  
 \*maximal operating temperature 120°C  
 \*\*maximal operating temperature 125°C

Installation:

The installation can be done selectively as follows:  
**as divider**  
 path A: from motor  
 path B: to bypass  
 path C: to cooler  
**as mixing valve**  
 path C: from cooler  
 path B: from bypass  
 path A: to motor  
 The paths have been marked on the connections.  
 The temperature regulator may be installed in all positions.



Dividing application



Mixing application