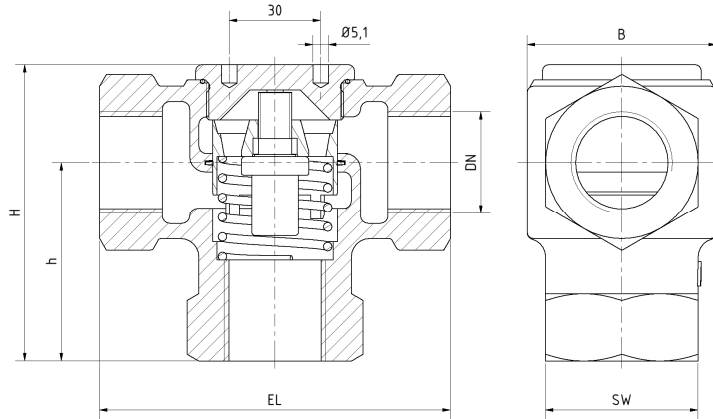


## AKO 3-Way Temperature Regulator Type Series 227.0700

Deliverable size: G 1/2", 3/4", 1" & 1 1/4" internal thread

### Technical Data:



<b>Material:</b>	
- Valve Body	1.4308
- Inner parts	SS / Brass
Thermostat	237.5100-xxx-0
Sealing Kit	NBR
Operation pressure	up to 40 bar
Adm. diff. pressure	up to 40 bar
Connection	internal thread G 1/2 - G 1 1/4"
Connection variation "N"	NPT -thread

### Installation:

The installation can be done selectively as follows:  
**as divider**  
**path A:** from motor  
**path B:** to bypass  
**path C:** to cooler  
**as mixing valve**  
**path C:** from cooler  
**path B:** from bypass  
**path A:** to motor  
 The paths have been marked on the connections.  
 The temperature regulator may be installed in all positions.

Deliverable temperature ranges:			
04 – 11 °C	39 – 49 °C	60 – 71 °C	93 – 101 °C*
22 – 30 °C	43 – 54 °C	68 – 77 °C	97 – 107 °C*
29 – 40 °C	49 – 60 °C	76 – 88 °C	101 – 121 °C**
35 – 46 °C	54 – 65 °C	82 – 93 °C	

max. continuous temperature 15°C above fully open temperature.  
 \*maximal operating temperature 120°C  
 \*\*maximal operating temperature 125°C

### Application

AKO Temperature Regulators are suitable for the stabilization of Temperatures of media (e. g. water, oils, etc.) and are even applicable as dividing units or mixing valves. Depending on their construction they are distinguished by their low need of maintenance, particular operating convenience and resistance to pressure. A replacement of inner parts is possible on the spot without having to remove the regulating valve from the piping. A faulty assembly can be excluded. The temperature regulators could be assembled in each fitting position.

### Function

AKO Temperature Regulators are being equipped with easily replaceable internal wax-filled thermostats that absorb the temperature of the medium surrounding them at the measurement point namely into expansion and thus a change in path or length (the valve stroke). AKO Temperature Regulators do not require any auxiliary energy. At rising temperature and on excess of the opening temperature, the tube slide is being lifted off of the valve seat and opening path A to C, with the path A to B locking simultaneously in the same ratio. The change is being performed in proportion to the change of temperature of the passing medium.

Order-no.	DN	EL [mm]	H [mm]	h [mm]	B [mm]	SW	Weight [kg]	Kvs [m³/h]
227.0700-050	G 1/2"	110	87	55	62	32	1,26	7,5
227.0700-N050	1/2" NPT	110	87	55	62	32	1,26	7,5
227.0700-075	G 3/4"	110	87	55	62	32	1,18	12
227.0700-N075	3/4" NPT	110	87	55	62	32	1,18	12
227.0700-100	G 1"	115	97	65	62	50	1,93	15
227.0700-N100	1" NPT	115	97	65	62	50	1,93	15
227.0700-125	G 1 1/4"	115	97	65	62	50	1,67	16,4
227.0700-N125	1 1/4" NPT	115	97	65	62	50	1,67	16,4