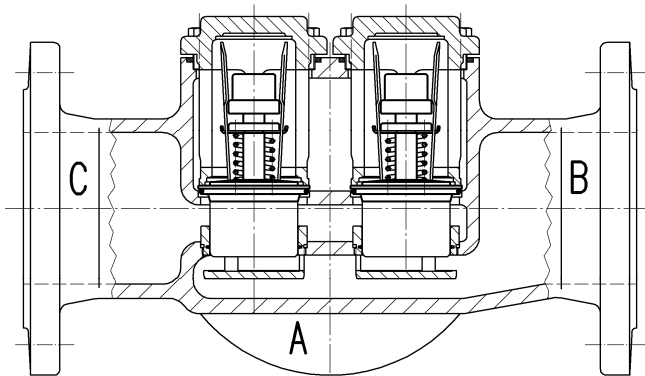


# AKO Temperature Regulator selfactuated

BT 227.0420-GB



AKO Three-Way-Temperature Regulator  
Type Series 227.0420  
Deliverable sizes: 40, 50, 80, 100 mm



## Technical Data:

Material:	
- Body	1.4308
- Inner Parts	SS / Brass
Thermostat	237.0120-xxx-0
Sealing Kit	NBR
Operating Pressure	up to 16 bar
Adm. Differential Pressure	up to 16 bar
Nominal Pressure	PN 16
Connection	Flange EN 1092-1 form B

## Installation:

The installation can be done selectively as follows:

### as divider

- path A: from motor
- path B: to bypass
- path C: to cooler

### as mixing valve

- path C: from cooler
- path B: from bypass
- path A: to motor

The paths have been marked on the connections.  
The temperature regulator may be installed in all position.

Deliverable temperature ranges				
05 - 15 °C	35 - 43 °C	57 - 66 °C	74 - 82 °C	93 - 103 °C*
14 - 26 °C	37 - 47 °C	60 - 69 °C	77 - 85 °C	102 - 113 °C*
20 - 30 °C	39 - 50 °C	62 - 71 °C	79 - 88 °C	
27 - 37 °C	43 - 54 °C	66 - 74 °C	82 - 93 °C	
29 - 40 °C	51 - 60 °C	68 - 78 °C	85 - 96 °C*	
32 - 41 °C	54 - 63 °C	71 - 79 °C	88 - 99 °C*	

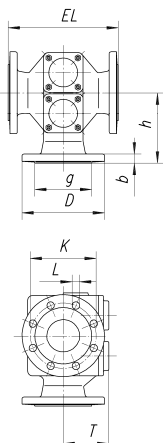
Max. continuous temperature 25 °C above fully open temperature.  
\*maximal operating temperature 120°C

## Application

AKO Temperature Regulators are suitable for the stabilization of temperatures of media (e. g. water, oils, etc.) and are even applicable as dividing units or mixing valves. Depending on their construction they are distinguished by their low need of maintenance, particular operating convenience and resistance to pressure. A replacement of inner parts is possible on the spot without having to remove the regulating valve from the piping. A faulty assembly can be excluded. The temperature regulators could be assembled in each fitting position.

## Function

AKO Temperature Regulators are being equipped with easily replaceable internal wax-filled thermostats that absorb the temperature of the medium surrounding them at the measurement point namely into expansion and thus a change in path or length (the valve stroke). AKO Temperature Regulators do not require any auxiliary energy. At rising temperature and on excess of the opening temperature, the tube slider is being lifted off on the valve seat and opening path A to C, with the path A to B locking simultaneously in the same ratio. The change is being performed in proportion to the change of temperature of the passing medium.



order-no.	DN	D [mm]	g [mm]	b [mm]	h [mm]	T [mm]	EL [mm]	K [mm]	L [mm]	pieces of thermostats	weight [kg]	KVs [m³/h]
227.0420-040	40	154	88	20	102	142	178	110	4x18	1	13,0	24,64
227.0420-050	50	165	102	23	150	135	225	125	4x18	1	18,5	38,80
227.0420-080	80	209	138	28	171	108	267	160	8x18	2	34,0	85,95
227.0420-100	100	254	158	31	217	125	403	180	8x18	4	58,0	156,70